





Additional information on this product is immediately available online at [www.bannerengineering.com/121902](http://www.bannerengineering.com/121902)

For further assistance, contact a Banner Engineering Applications Engineer at (763) 544-3164 or (888) 373-6767.



### Models

Models		Construction	Connector*	LED Function**	Inputs
	<b>M18GRY2PQ</b>	Nickel-plated brass housing, M18x1 thread; thermoplastic diffuser.	5-pin Euro-style integral QD  NOTE: Pin 5 not used; connects to 4-wire QD cable. If cables other than those specified on page 3 are used, use a 5-pin mating cable.	Choose Red, Yellow, or Green ON, flashing, or rotating (depending on hookup)	PNP (Sourcing)
	<b>M18GRY2NQ</b>	Fully encapsulated IP67			NPN (Sinking)
	<b>T30GRY2PQ</b>	Thermoplastic polyester housing, thermoplastic diffuser.			PNP (Sourcing)
	<b>T30GRY2NQ</b>	Fully encapsulated IP67			NPN (Sinking)
	<b>K50LGRY2PQ</b>	30 mm threaded polycarbonate base, translucent polycarbonate dome.			PNP (Sourcing)
	<b>K50LGRY2NQ</b>	Fully encapsulated IP67			NPN (Sinking)
	<b>K80LGRY2PQ</b>	ABS and polycarbonate base, translucent polycarbonate dome.			PNP (Sourcing)
	<b>K80LGRY2NQ</b>	Electronics fully encapsulated IP67			NPN (Sinking)

\* **K80L Models:** Standard 5-pin Euro integral QD connector models are listed (mating cable required; see page 3). For terminal-wired model, omit suffix "Q" (e.g., "K80LGRY2P").

**Other Models:** Standard integral QD models are listed (mating cable required; see reverse). For 2 m (6.5') cable model, omit suffix "Q" from model number (e.g., **M18GRY2P**). For 150 mm (6") PVC pigtail with 5-pin Euro QD connector, replace suffix "Q" with "QP" (e.g., **M18GRY2PQP**).

\*\* Contact Factory for other colors/color combinations, including: blue, white, orange.

# EZ-LIGHT™ - 3-Color, 7-Function

## Specifications

### Supply Voltage and Current

**M18 Models:** 10 to 30V dc @ 40 mA max.

**T30 Models:** 10 to 30V dc @ 50 mA max.

**K50L and K80L Models:** 18 to 30V dc @ 50 mA max.

### Indicators

Entire translucent diffuser or dome provides indication.

LEDs are independently selected: Green, Red, Yellow, ON steady or flashing.

For other colors/combinations, contact Factory for availability.

### Input Response Time

**Indicator ON:** 250 ms (max.)

**Indicator OFF:** 10 ms (max.)

### Indicator Flash Rate

**Single Color:** 1 second flash rate (500 ms ON)

**Three Color:** 1.5 second rotation rate (500 ms per color)

### Environmental Rating

IEC IP67

K80L has encapsulated electronics only; other models fully encapsulated

### Connections

**K80L Models:** 5-pin Euro-style integral QD (Q) standard. Terminal-wired models available for use with bulk cable; compression fitting optional. Contact Factory for cable information.

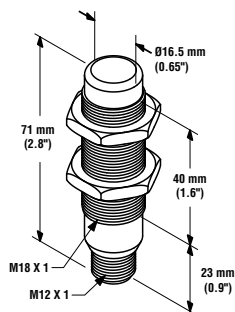
**Other Models:** 5-pin Euro-style integral QD (Q); 6" pigtail QD (QP), (do not use center pin 5); or 5-wire, 2 m (6.5') integral cable

### Operating Conditions

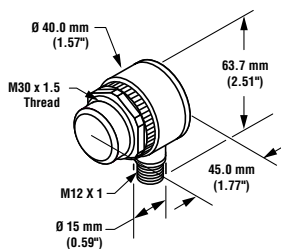
**Temperature:** -40° to +50° C (-40° to +122° F)

## Dimensions

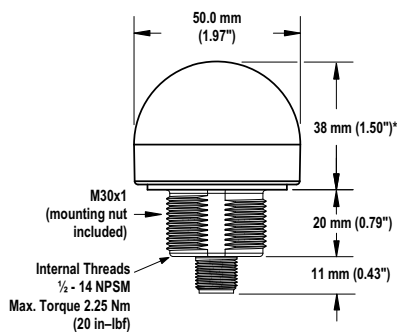
### M18 Models



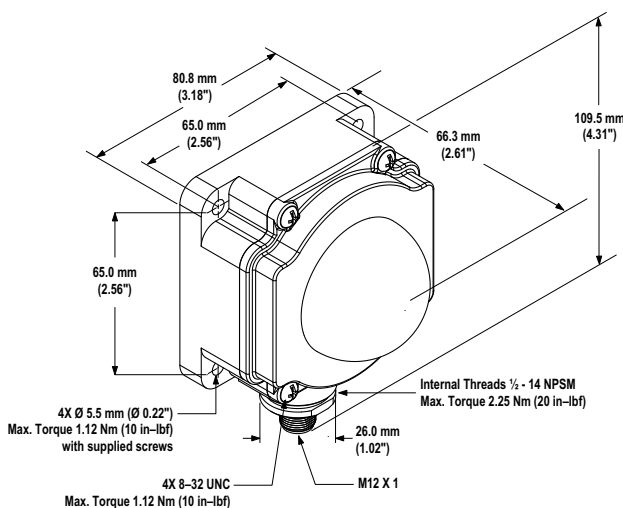
### T30 Models



### K50L Models



### K80L Models

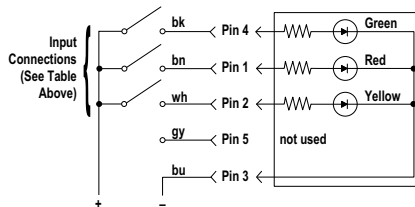


## Hookups

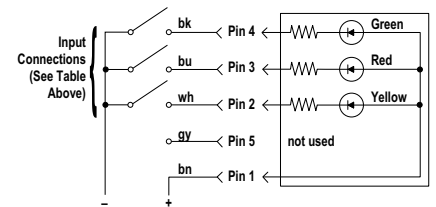
Select from 7 operating schemes, depending on hookup:

LED Function	PNP Models				NPN Models			
	Brown Wire	White Wire	Black Wire	Blue Wire	Blue Wire	White Wire	Black Wire	Brown Wire
Red ON	+V dc			0V dc	0V dc			+V dc
Red Flashing	+V dc		+V dc	0V dc	0V dc		0V dc	+V dc
Yellow ON		+V dc		0V dc		0V dc		+V dc
Yellow Flashing	+V dc	+V dc		0V dc	0V dc	0V dc		+V dc
Green ON			+V dc	0V dc			0V dc	+V dc
Green Flashing		+V dc	+V dc	0V dc		0V dc	0V dc	+V dc
Rotating Red-Green-Yellow	+V dc	+V dc	+V dc	0V dc	0V dc	0V dc	0V dc	+V dc

### PNP Models



### NPN Models



Only QD hookups are shown; cabled hookups are functionally identical.




## Quick-Disconnect (QD) Cables

Style	Model	Length	Dimensions	Pinout
4-pin Euro-style straight	MQDC-406 MQDC-415 MQDC-430	2 m (6.5') 5 m (15') 9 m (30')		<p>NOTE: If cables other than these are used, use a 5-pin mating cable</p>
4-pin Euro-style right-angle	MQDC-406RA MQDC-415RA MQDC-430RA	2 m (6.5') 5 m (15') 9 m (30')		

Bulk cable for terminal-wired K80L models: Contact Factory.

# EZ-LIGHT™ – 3-Color, 7-Function

## Accessory Mounting Brackets

<b>SMB18A</b>	<ul style="list-style-type: none"> <li>• For use with M18 and T18 models or base-mount T30 models</li> <li>• 12-gauge, stainless steel, right-angle bracket, curved mounting slot for adjustable orientation</li> <li>• Clearance for M4 (#8) hardware</li> </ul>	<b>Other available 18 mm dia. brackets:</b> <b>SMB1815SF</b> <b>SMB18Q</b> <b>SMB18SF</b> <b>SMB312PD</b> <b>SMBAMS18RA</b> <b>SMBAMS18P</b>	
<b>SMB30A</b>	<ul style="list-style-type: none"> <li>• For use with T30 models or base-mount K50L models</li> <li>• 30 mm 12-gauge, 304 stainless steel, right-angle mounting bracket, curved mounting slot for adjustable orientation</li> <li>• Clearance for M5 (#10) hardware</li> </ul>	<b>Other available 30 mm dia. brackets:</b> <b>SMBAMS30RA</b> <b>SMBAMS30P</b> <b>SMB30SC</b> <b>SMB30SC</b> <b>SMB30MM</b> <b>SMB3018SC</b>	
<b>SMBDX80D</b>	<ul style="list-style-type: none"> <li>• DIN-mount bracket for K80L models</li> <li>• Hardware included to mount to K80L housing</li> <li>• ABS</li> </ul>		

For bracket dimension information, go to [www.bannerengineering.com](http://www.bannerengineering.com).

Additional information on this product is immediately available online at [www.bannerengineering.com/121902](http://www.bannerengineering.com/121902)

For further assistance, contact a Banner Engineering Applications Engineer at (763) 544-3164 or (888) 373-6767.



**WARRANTY:** Banner Engineering Corp. warrants its products to be free from defects for one year. Banner Engineering Corp. will repair or replace, free of charge, any product of its manufacture found to be defective at the time it is returned to the factory during the warranty period. This warranty does not cover damage or liability for the improper application of Banner products. This warranty is in lieu of any other warranty either expressed or implied.