

# IMS2 SOFT STARTER

Solid state starters from modules to custom packaging

- Advanced soft start and soft stop control
- Protection functions operate even when bypassed
- Numeric feedback display
- External input/outputs for remote management
- Fully programmable auto-reset

**Modular  
Design**

**EZ Set-up**

**Digital Solid  
State Starter**

**Soft Start  
Soft Stop**



**200-690 VAC**

**18-1574 Amps**

**1600 PIV SCR's**

**110 V Control**



Saftronics' IMS2 Series soft starters are a total motor starting solution, combining high-level functionality with flexibility and ease of use.

# IMS<sub>2</sub> SOFT STARTER

## FEATURE SET

IMS<sub>2</sub>

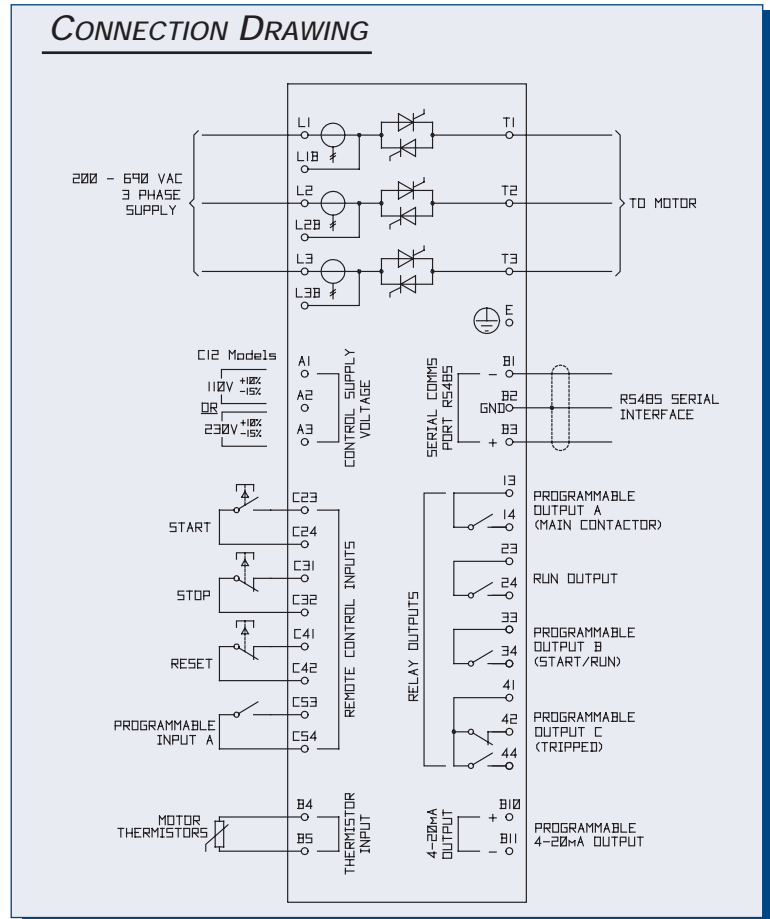
- ▶ **Starting**
  - Constant current ✓
  - Current ramp ✓
  - Torque control ✓
  - Kickstart ✓
- ▶ **Stopping**
  - Soft stop ✓
  - Pump stop ✓
  - Soft braking ✓
- ▶ **Protection**
  - Motor thermal model ✓
  - Motor thermistor input ✓
  - Phase imbalance ✓
  - Phase sequence ✓
  - Electronics shearpin ✓
  - Undercurrent ✓
  - Auxiliary trip input ✓
  - Starter heatsink overtemperature ✓
  - Excess start time ✓
  - Supply frequency ✓
  - Shorted SCR ✓
  - Power circuit ✓
- ▶ **Human Interface**
  - Local pushbuttons (Start, Stop, Reset, Local/Remote) ✓
  - Numeric display ✓
  - Remote input status LEDs ✓
  - Phase indicator LEDs ✓
- ▶ **Control Interface**
  - Control inputs (3 x fixed, 1 x programmable) ✓
  - Relay outputs (1 x fixed, 3 x programmable) ✓
  - Analog output (1 x programmable) ✓
  - Serial output (1 x RS485) ✓
- ▶ **Sundry**
  - Current & Motor Temperature readout ✓
  - Trip log & Start counter ✓
  - Multiple function sets ✓
  - Restart delay ✓
  - High/Low Current flags ✓
  - Auto-stop, Auto-reset ✓
  - Function lock, Password protection ✓
  - Store/Restore function settings ✓
  - Emergency mode operation ✓
  - Compact size ✓
  - Wall mount (models up to 253 A) ✓
  - Adjustable bus bar configuration (models above 302 A) ✓
  - CE, C, UL & Marine approvals ✓

In simple installations, commissioning requires only one parameter to be set. For advanced applications, an extensive range of functions makes the IMS<sub>2</sub> suitable for nearly all motor starting and control requirements.

The IMS<sub>2</sub> offers a choice of soft start and soft stop profiles to ensure optimum control for all load types. The unique torque control system gives more linear acceleration than standard constant current, and a special pump control function reduces water hammer.

In addition to leading edge soft start and soft stop, the IMS<sub>2</sub> incorporates advanced motor and load protection features. IMS<sub>2</sub> minimizes installation time and costs and ensures that motors can be operated with confidence.

## CONNECTION DRAWING



**24/7  
Emergency  
Support**

**Call  
800 533-0031**

To maintain maximum uptime and performance, Safronics offers 24 hours / 7 days per week toll free emergency support. The Safronics technical support team is available for trouble shooting assistance as well as weekend and holiday shipment of repair parts.

**SAFRONICS**  
www.saftronics.com

5580 Enterprise Parkway, Fort Myers, FL 33905  
Phone: (239) 693-7200 Fax: (239) 693-2431

P/N: 027-3062  
Rev: 01/2006