

WIREMOLD



Resource RFB® Floor Box Series

RFB Series Floor Boxes for Tile and Carpet Applications



Protection from water, dirt, and debris.

The RFB Series Floor Box is a versatile activation solution that provides power and/or communication services to open space areas or directly to the workstation. RFB Series Floor Boxes are now available with the new FloorPort™ Activation Covers. This new cover series incorporates TopGuard™ protection to prevent water, dirt, and debris from entering the power and communication devices. **The FloorPort Activation Covers are UL Listed to U.S. and Canadian safety standards for tile, terrazzo, carpet, and wood floors.** The RFB Series has many unique applications, some of which are schools, financial institutions, and commercial office buildings.



RFB Series Floor Boxes with new FloorPort Activation Covers.

Features & Benefits

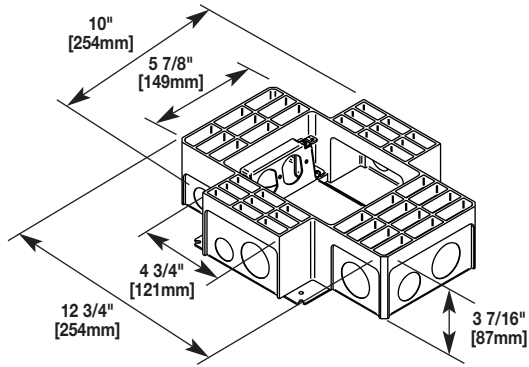
- **Four independent wiring compartments that allow capacity for up to four duplex receptacles and/or communication services.** Reduces overall cost by providing for most cabling requirements.
- **Three versions for various applications.** Cast iron version to meet on grade requirements. Steel version for above grade to reduce installation cost on above grade floors. Shallow version provides flexibility with varying concrete depths.
- **Fully adjustable before and after the concrete pour.** Labor savings by adapting to various pour depths and conditions.
- **Range of conduit sizes.** Allows for most conduit schemes, even feed through capability, which saves time and money during installation.
- **UL Listed to U.S. and Canadian safety standards for tile, terrazzo, and the future UL requirement under UL514A and UL514C for the scrub water exclusion test for carpet and wood floors.** This future requirement takes effect in June, 2003.
- **Redesigned FloorPort Activation Covers.** Provides TopGuard protection from water, dirt and debris and provides added strength and durability. Now available in brushed aluminum and plated brass finishes for better aesthetics.
- **Shallow version allows pass-around tunneling.** Flexibility in design to have adjacent compartments wired together.
- **Wide variety of mounting brackets.** Can adapt to most power and communication needs. Reduces overall life cycle cost.
- **Datacom connectivity options.** Accepts industry standard and proprietary devices from a wide range of manufacturers to provide a seamless and aesthetically pleasing interface for voice, data, audio, and video applications at the point-of-use. A wide selection of data and bezel options available for use with Ortronics® TracJack™ and Series II devices.

Multiservice Steel Recessed Floor Box Ordering Information

Catalog No./Item

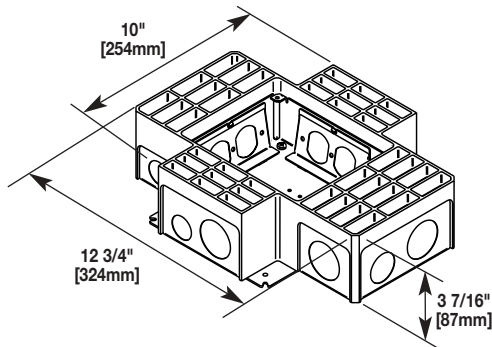
Description/Specifications

RFB4



Four-Compartment Combination Box – 12 3/4" L x 10" W x 3 7/16" D [324mm x 254mm x 87mm]. Fully adjustable with tunnel compartment and two receptacle brackets. **Tunneling from end power compartment to end power compartment only.** Communication brackets not included. See "Accessories".

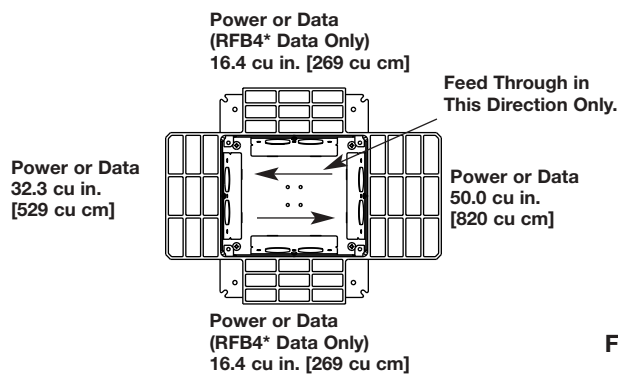
RFB4-4DB



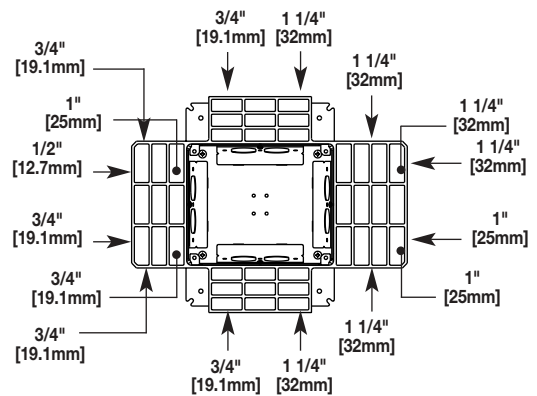
Four-Compartment Box – Includes four duplex receptacle brackets. 12 3/4" L x 10" W x 3 7/16" D [324mm x 254mm x 87mm]. Fully adjustable. **Tunneling from adjacent or opposite compartments only, (not cross compartments).** Tunneling can be set to feed all four compartments from one conduit in a single-service application.

NOTE: All boxes and activations are sold separately.

Compartment Capacities and Knockout Locations and Sizes



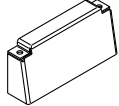
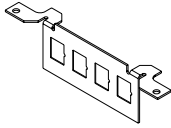
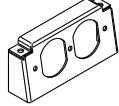
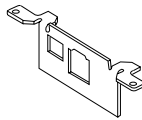
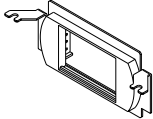
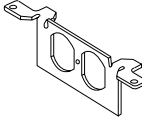
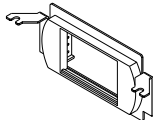
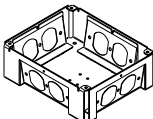
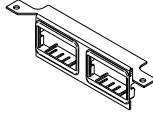
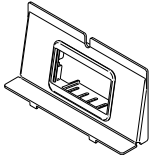
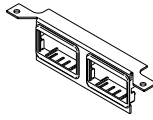
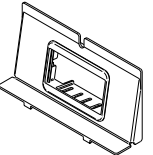
FOR RFB4



*No feed through to opposite data compartment on RFB4.

└─ Indicates Bottom KO.

Multiservice Steel Recessed Floor Box Accessories

Catalog No./Item	Description/Specifications		Catalog No./Item	Description/Specifications	
RFB-B 	Internal Blank Bracket – Power compartments only. <i>NOTE:</i> For RFB4 only.		DTB-2-4TKO 	Communication Bracket – • Four RJ opening knockouts. Use as blank plate or for up to four RJ openings. <i>NOTE:</i> For RFB4 only. Opening dimension is 9/16" x 3/4" [14.3mm x 19.1mm].	ORT P&S OPEN
RFB-DR 	Internal Duplex Bracket <i>NOTE:</i> For RFB4 only.		DTB-2-DT 	Communication Bracket – With IBM Type II opening (devices not included). <i>NOTE:</i> For RFB4 only.	
RFB4-LPB 	Communication Bracket – • Activate™ low profile bezel included. • Wiremold open inserts, sold separately. <i>NOTE:</i> For RFB4 only.	ORT P&S OPEN	DTB-2-SD 	Communication Bracket – With duplex opening (devices not included). <i>NOTE:</i> For RFB4 only.	
RFB4-LPBS2 	Communication Bracket – • Ortronics Series II Low profile bezel included. <i>NOTE:</i> For RFB4 only.	ORT P&S OPEN	RFB-WTB 	Conversion Kit – To convert the RFB4 Box to a RFB4-4DB Box.	
DTB-2-2AB 	Communication Bracket – • Activate, two bezels included. • Wiremold open inserts, sold separately. <i>NOTE:</i> For RFB4 only.	ORT P&S OPEN	WTB-2-AB 	Communication Bracket – • Activate, one bezel included. • Wiremold open inserts, sold separately. <i>NOTE:</i> For use with the RFB4-4DB.	ORT P&S OPEN
DTB-2-2RT 	Communication Bracket – • Ortronics AB2TJ TracJack and ABS2 Series II bezels included. <i>NOTE:</i> For RFB4 only.	ORT P&S OPEN	WTB-2-RT 	Communication Bracket – • Ortronics AB2TJ TracJack and ABS2 Series II bezels included. <i>NOTE:</i> For use with the RFB4-4DB.	ORT P&S OPEN

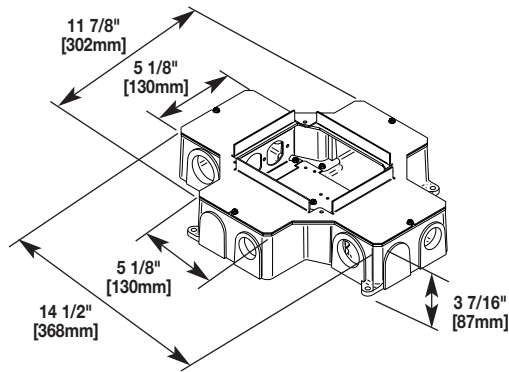
Additional configurations available. Please consult your Wiremold Field Sales Representative for more information.

Multiservice Cast Iron Recessed Floor Box Ordering Information

Catalog No./Item

Description/Specifications

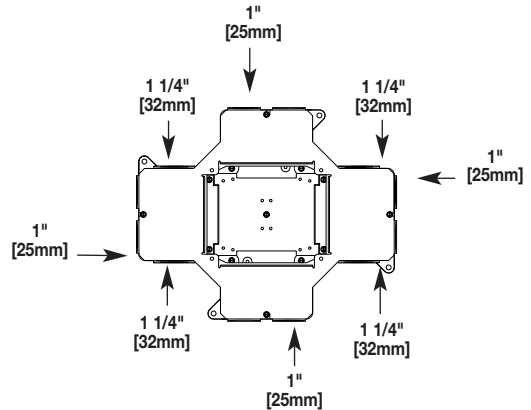
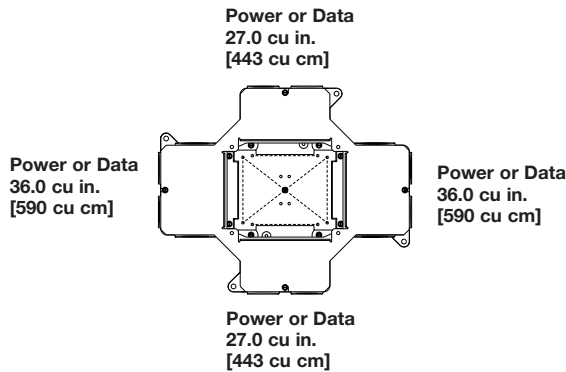
RFB4-CI-1



Four-Compartment Cast Iron Combination Box – 14 1/2" L x 11 7/8" W x 3 7/16" D [368mm x 302mm x 87mm]. Fully adjustable with tunnel compartment and two receptacle brackets. **Feed through from adjacent or opposite compartments only, (not cross compartments).** Communication brackets not included. See "Accessories".

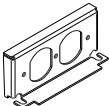
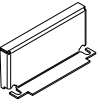
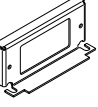
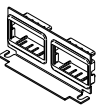
NOTE: All boxes and activations are sold separately.

Compartment Capacities and Knockout Locations and Sizes

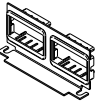
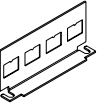


For RFB4-CI-1

Multiservice Cast Iron Floor Box Accessories

Catalog No./Item	Description/Specifications
 <p>CIHT-D</p>	<p>Internal Duplex Receptacle Bracket</p>
 <p>CIH/LT-B</p>	<p>Internal Blank Bracket</p>
 <p>CIHT-GFI</p>	<p>Internal GFI Device Bracket</p>
 <p>CILT-2AB</p>	<p>Communication Bracket –</p> <ul style="list-style-type: none"> • Activate, two bezels included. • Wiremold open inserts, sold separately.

ORT
P&S
OPEN

Catalog No./Item	Description/Specifications
 <p>CILT-2-RT</p>	<p>Communication Bracket –</p> <ul style="list-style-type: none"> • Ortronics AB2TJ TracJack and ABS2 Series II bezels included.
 <p>CILT-4TKO</p>	<p>Communication Bracket –</p> <ul style="list-style-type: none"> • Four RJ opening knockouts. Use as blank plate or for up to four RJ openings. <p>NOTE: Opening dimension is 9/16" x 3/4" [14.3mm x 19.1mm].</p>

ORT
P&S
OPEN

ORT
P&S
OPEN

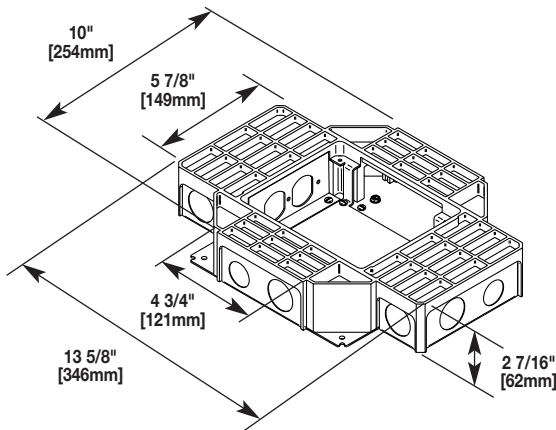
Additional configurations available. Please consult your Wiremold Field Sales Representative for more information.

Multiservice Shallow Steel Recessed Floor Box Ordering Information

Catalog No./Item

Description/Specifications

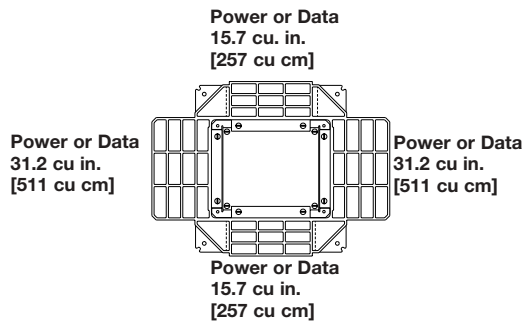
RFB4-SS



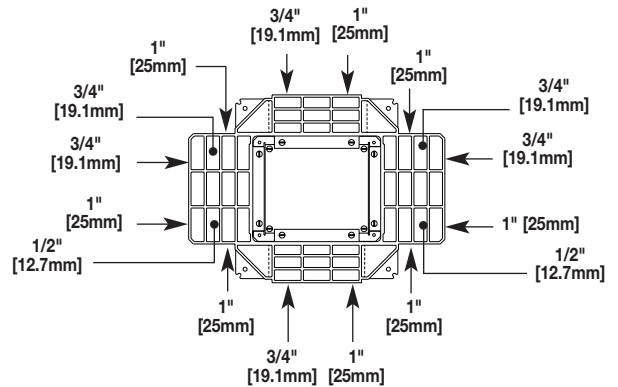
Four-Compartment Shallow Stamped Steel Combination Box – 13 5/8" L x 10" W x 2 7/16" D [346mm x 254mm x 62mm]. Fully adjustable with tunnel compartment and two receptacle brackets. **Feed through tunneling to adjacent compartments only.** Tunneling can be set to feed all four compartments from one conduit in a single-service application. Communication brackets not included. See "Accessories".

NOTE: All boxes and activations are sold separately.

Compartment Capacities and Knockout Locations and Sizes



FOR RFB4-SS



Indicates Bottom KO

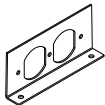
Multiservice Shallow Steel Floor Box Accessories

Catalog No./Item

Description/Specifications

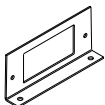
RFB-RB-SS

Internal Duplex Receptacle Bracket.



RFB-GFI-SS

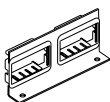
Internal GFI Receptacle Bracket.



RFB-2AB-SS

Internal Bracket –

- Activate, two bezels included.
- Wiremold open inserts, sold separately.



ORT

P&S

OPEN

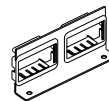
Catalog No./Item

Description/Specifications

RFB-2-SSRT

Communication Bracket –

- Ortronics AB2TJ TracJack and ABS2 Series II bezels included.



ORT

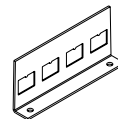
P&S

OPEN

RFB-4TKO-SS

Internal Bracket –

- Four RJ opening knockouts. Use as blank plate or for up to four RJ openings.



ORT

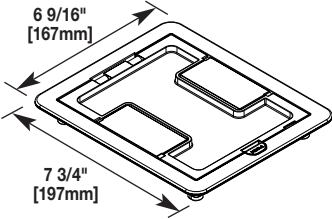
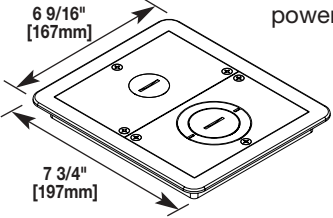
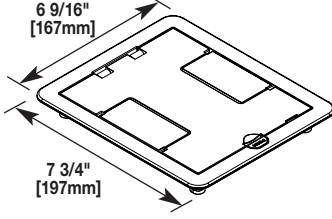
P&S

OPEN

NOTE: Opening dimension is 9/16" x 3/4" [14.3mm x 19.1mm].

Additional configurations available. Please consult your Wiremold Field Sales Representative for more information.

FloorPort Flanged Cover Assemblies

Catalog No./Item	Description/Specifications
<p>S38CCTCAL S38CCTCBS S38CCTCBK</p> 	<p>Flanged Cover Assemblies – Available in die-cast aluminum assembly with brushed aluminum finish (AL), die-cast zinc assembly with plated brass finish (BS), and die-cast zinc with painted black finish (BK). Insert area in lid allows for carpet or tile cutouts to match finished floor.</p>
<p>S38PPTCAL S38PPTCBS S38PPTCBK</p> 	<p>Flanged Partition Feed Cover Assemblies – Available in die-cast aluminum assembly with brushed aluminum finish (AL), die-cast zinc assembly with plated brass finish (BS), and die-cast zinc with painted black finish (BK). Provided with one 1" trade size screw plug for power or communications type cabling, and one combination 1 1/4" and 2" trade size screw plug for communications type cabling. Allows for feeding of both power and communication cabling.</p>
<p>S38BBTCAL S38BBTCBS S38BBTCBK</p> 	<p>Flanged Cover Assemblies – Available in die-cast aluminum assembly with brushed aluminum finish (AL), die-cast zinc assembly with plated brass finish (BS), and die-cast zinc with painted black finish (BK). Lid area is flush with the finished floor, no cutouts provided.</p>

NOTE: New FloorPort covers and flanges are now supplied with a brushed aluminum (AL) or plated brass (BS) finish replacing the painted finishes on the old version.

Catalog Number Key

S3X|X|X|X|X|X

S3 = FloorPort Redesign Family

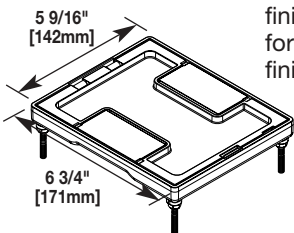
8 = Flanged
9 = Flangeless

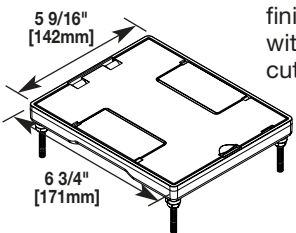
CC = Cutouts for tile or carpet inserts
BB = Solid lid to be flush with finished floor
PP = Solid lid with partition feed openings

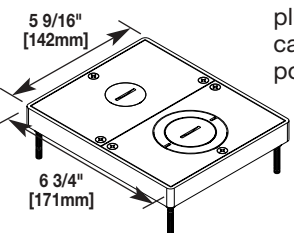
AL = Brushed Aluminum Finish
BS = Plated Brass Finish
BK = Painted Black Finish

TC = UL Approved for Tile and Carpet Floors

FloorPort Flangeless Cover Assemblies

Catalog No./Item	Description/Specifications
S39CCTCAL S39CCTCBS S39CCTCBK	Flangeless Cover Assemblies – Available in die-cast aluminum assembly with brushed aluminum finish (AL), die-cast zinc assembly with plated brass finish (BS), and die-cast zinc with painted black finish (BK). Insert area in lid allows for carpet or tile cutouts to match finished floor.
	

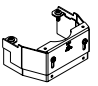
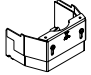
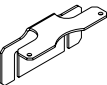
Catalog No./Item	Description/Specifications
S39BBTCAL S39BBTCBS S39BBTCBK	Flangeless Cover Assemblies – Available in die-cast aluminum assembly with brushed aluminum finish (AL), die-cast zinc assembly with plated brass finish (BS), and die-cast zinc with painted black finish (BK). Lid area is flush with the finished floor, no cutouts provided.
	

Catalog No./Item	Description/Specifications
S39PPTCAL S39PPTCBS S39PPTCBK	Flangeless Partition Feed Cover Assemblies – Available in die-cast aluminum assembly with brushed aluminum finish (AL), die-cast zinc assembly with plated brass finish (BS), and die-cast zinc with painted black finish (BK). Provided with one 1" trade size screw plug for power or communications type cabling, and one combination 1 1/4" and 2" trade size screw plug for communications type cabling. Allows for feeding of both power and communication cabling.
	

NOTE: New FloorPort covers and flanges are now supplied with a brushed aluminum (AL) or plated brass (BS) finish replacing the painted finishes on the old version.

Load Capacities for FloorPort Cover Assemblies	
Catalog Numbers	Maximum Load in Pounds
S38CCTCAL	1000
S38CCTCBS	1500
S38CCTCBK	1500
S38BBTCAL	750
S38BBTCBS	1000
S38BBTCBK	1000
S38PPTCAL	1000
S38PPTCBS	1500
S38PPTCBK	1500
S39CCTCAL	1000
S39CCTCBS	1500
S39CCTCBK	1500
S39BBTCAL	750
S39BBTCBS	1250
S39BBTCBK	1250
S39PPTCAL	1000
S39PPTCBS	1500
S39PPTCBK	1500

**Load applied through a 2" [51mm] mandrel in center of service fitting.*

FloorPort Partition Feed Barrier Kits	
Catalog No./Item	Description/Specifications
RFBKIT	Barrier Kit – Used to separate power and communication wires in partition feed covers. Supplied with base and three extensions to adjust to cover height. For use on RFB4, and RFB4-SS Floor Boxes. Kits are sold separately.
	
RFBCIKIT	Barrier Kit – Used to separate power and communication wires in partition feed covers. Supplied with base and three extensions to adjust to cover height. For use on RFB4-CI Floor Boxes only. Kits are sold separately.
	
2PFKIT	Partition Feed Kit – Used in dual partition feed covers to secure communication door. Kits are sold separately. Used with all RFB style boxes.
	

*** IMPORTANT !**

The above kits must be used with the appropriate RFB style partition feed boxes in order to separate power and communication services, and to secure the cover when using multiple services.

To Wiremold.com

**Guide Form Specs
CAD Drawings Available**

Datacom Connectivity Options

Now you have a wide range of options for providing datacom connectivity into Wiremold® Cable Management Systems. They are:

- Ortronics® TracJack® and Series II Modular Connectivity Solutions
- Pass & Seymour Activate™ Modular Inserts
- Open System Communication Modules

ORT	ORT	ORT
P&S	P&S	P&S
OPEN	OPEN	OPEN

Use these icons to determine connectivity options for each Wiremold System component:

ORT
P&S
OPEN

Ortronics® Connectivity

TracJack® Individual Jack System

- Front-loading, snap-in design supports future moves adds and changes
- Inserts for voice, data, audio, and video
- Available Category 3, 5e, 6, USOC 6-position, and other media
- Choice of 13 colors and color matched to Wiremold Systems
- Universal T568A/B wiring format



Series II Front-Loading, Module System

- Module design features easy snap-in front-loading design
- Linear 110 punch down format for easy termination
- Inserts for voice, data, audio, and video
- Available Category 3, 5e, 6, USOC 6-position, and other media
- Color matched to Wiremold Systems



For detailed product selection refer to the Ortronics Catalog or visit www.ortronics.com.

ORT
P&S
OPEN

Pass & Seymour Legrand Network Wiring

Activate™ Series Front-Loading Inserts

- Modular inserts for voice, data, audio and video applications
- Front-load, snap-in design
- Color and texture matched to Wiremold Systems
- Available Category 3, 5e, 6, as well as 6-position USOC
- Universal T568A/B wiring format



For detailed product selection refer to the Pass & Seymour Network Wiring Catalog or visit www.passandseymour.com.

ORT
P&S
OPEN

Open Connectivity Solutions

Wiremold Open System Communications Modules

- Accommodate a wide range of manufacturers' communications outlets including keystone jacks, as well as proprietary solutions from Avaya (Lucent) and NORDX
- Modules insert into a wide range of Wiremold Systems
- Pre-punched faceplates accept common communication devices



NOTE: For more information on integrating connectivity into Wiremold Cable Management Systems contact the Wiremold Applications Engineering Team or your local Wiremold Sales Representative.

WIREMOLD



Wiremold / Legrand
U.S. and International:
60 Woodlawn Street • West Hartford, CT 06110
1-800-621-0049 • FAX 860-232-2062 • Outside U.S. 860-233-6251
Canada:
570 Applewood Crescent • Vaughan, Ontario L4K 4B4
1-800-723-5175 • FAX 905-738-9721

