

WIREMOLD



FloorPort Series Activation Covers & Barrier Kits INSTALLATION INSTRUCTIONS

Installation Instruction No.: 1 004 231 R1 – Updated July 2005

Wiremold Electrical Systems conforms with, and should be installed and properly grounded in compliance with requirements of the current National Electrical Code or codes administrated by local authorities.

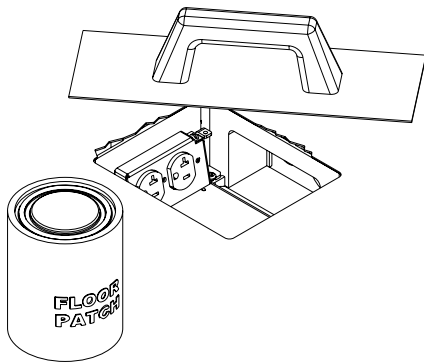
All electrical products may represent a possible shock or fire hazard if improperly installed or used. Wiremold electrical products are UL listed, made for interior use and should be installed by qualified electrical people in conformance with current and local and/or the National Electrical Code.

IMPORTANT: Please read all instructions before beginning.

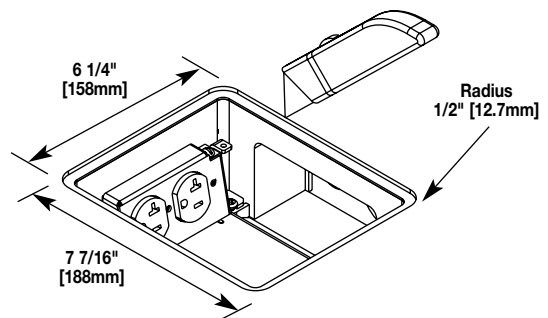
Products Covered: S38 & S39 Series Covers with PKKIT, RFBKIT, RFBCIKIT, NRGKIT Barriers, & Abandonments S3AXPB, PKCAP and NRGCAP.

TRIM FLANGE INSTALLATION:

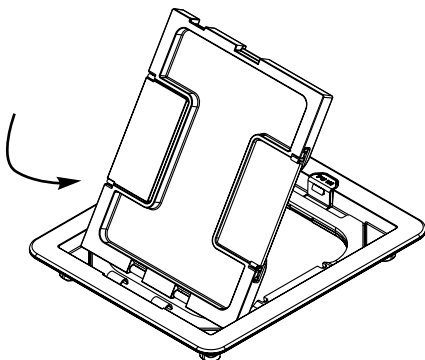
1. Before installing Cover, repair any cracks or chips around the Preset or Floor Box opening using a suitable grout or repair compound.



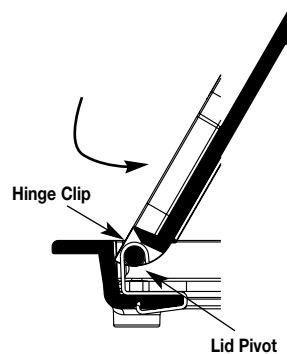
2. (S38 Series – Carpet Installation) Cut opening in Carpet as indicated in illustration.



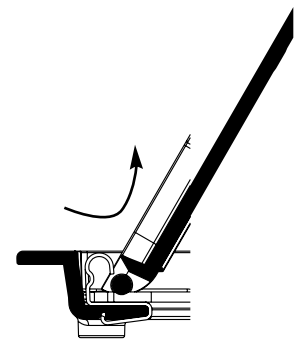
3. Remove Lid from Flange by pushing downward and inward. The Lid must be removed to access Rear Attachment Screw locations.



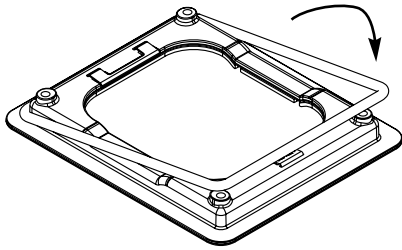
- 3a. Push downward to un-clip from Hinge.



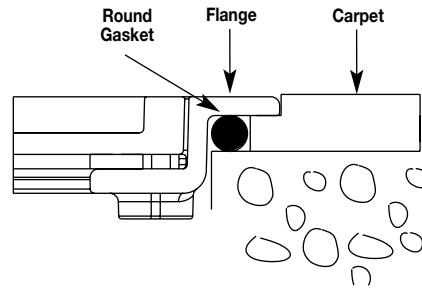
- 3b. Pull inward and lift away.



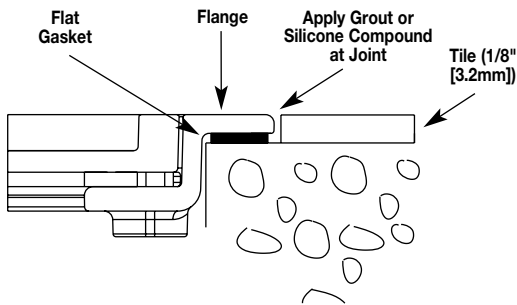
4. **(S38 Series – Carpet Installation)** Place round Gasket onto the underside of the Trim Ring.



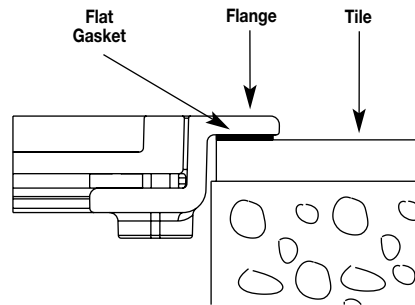
5. **(S38 Series – Carpet Installation)** Installation view of round Gasket and Carpet.



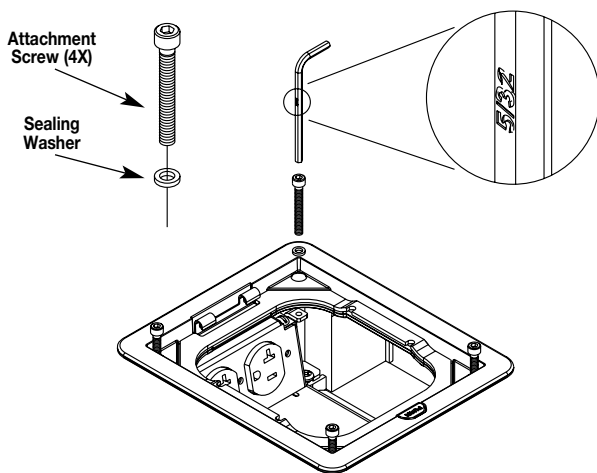
6. **(S38 Series – Flush Tile Installation)** Place flat Gasket under Trim Ring prior to positioning on concrete.



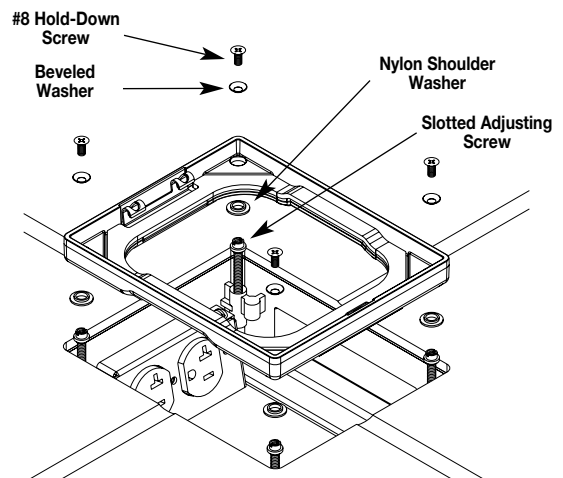
7. **(S38 Series – Surface Mount Tile Installation)** Place flat Gasket under Trim Ring prior to positioning over Tile.



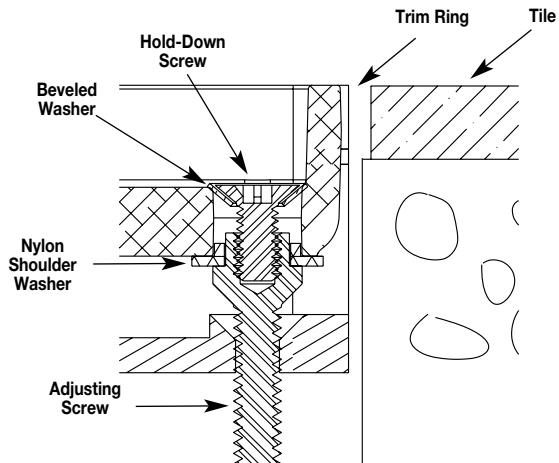
8. **(S38 Series)** Slide sealing Washer over Attachment Screw and mount Flange to Fitting.



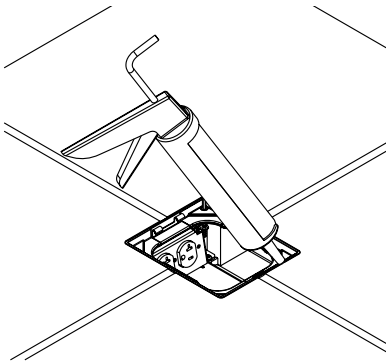
9. **(S39 Series)** Thread adjusting screws into preset or floor box and place nylon shoulder washers on screws. Position flange on top and use a slotted screwdriver to adjust flange elevation flush with floor surface. Complete installation by inserting beveled washer over #8 hold-down screw and thread into adjusting screw.



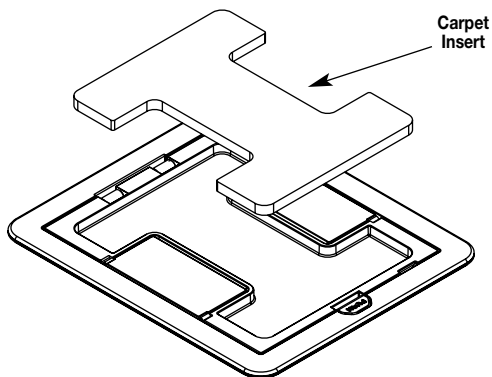
10. (S39 Series – Flush Installation) Top of Flange adjusted flush with Floor Covering.



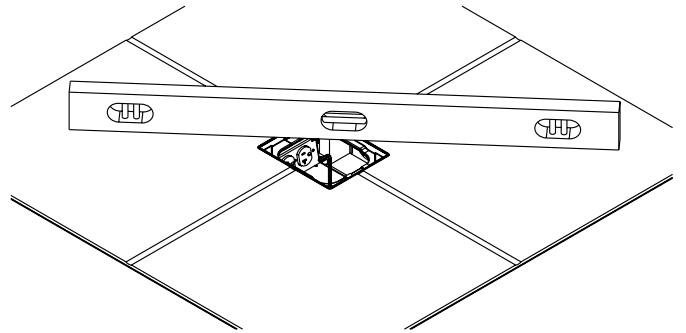
12. (S39 Series – Flush Installation) Seal edge of Flange with Grout or Silicone.



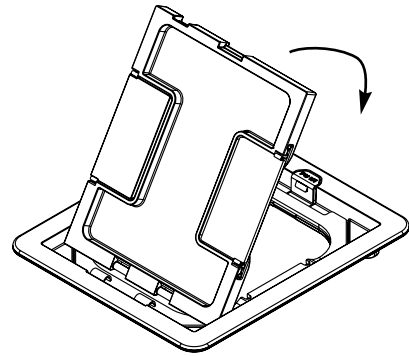
14. (S38CC & S39CC Series – Carpet Installation) Cut Carpet Insert (see Template on last page) and mount to Lid with Carpet Tape or Glue.



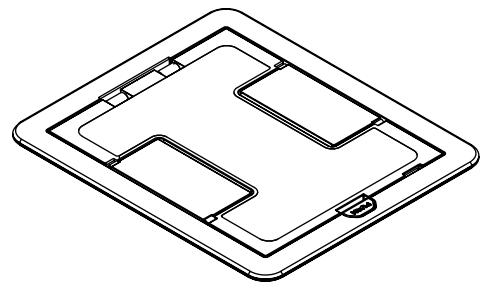
11. (S39 Series – Flush Installation) Confirm top edge of Flange is level with Floor Covering with Level or Straight Edge.



13. Re-attach Lid in Trim Ring.



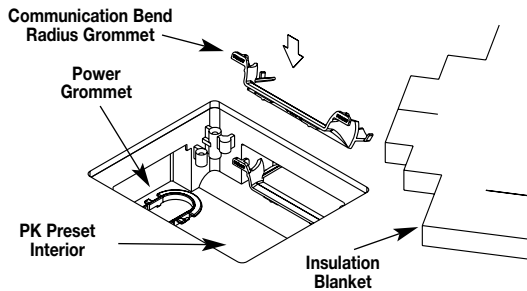
15. Installation complete.



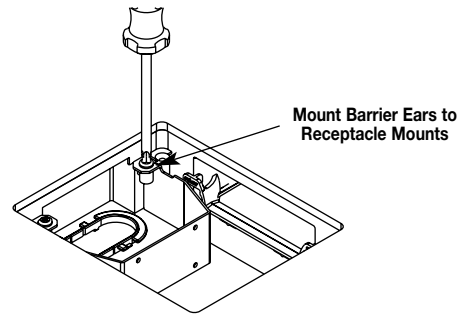
PARTITION FEED BARRIER KIT – PKKIT

For use on Walkercell & Walkerdeck PK Presets

1. Install power and communication Bend Radius Grommets as shown. Walkerdeck Presets must have Insulation Blanket inserted on deck surface to maintain Fire Classification.



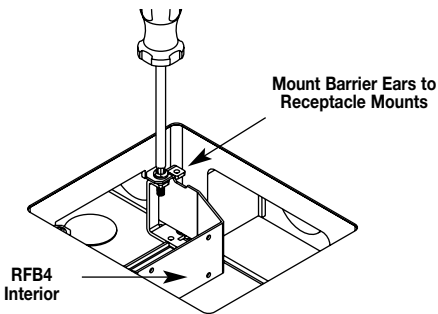
2. Install Barrier Base to Preset Receptacle Mounts as shown using #10-24 Screws. Follow directions on next page to complete installation.



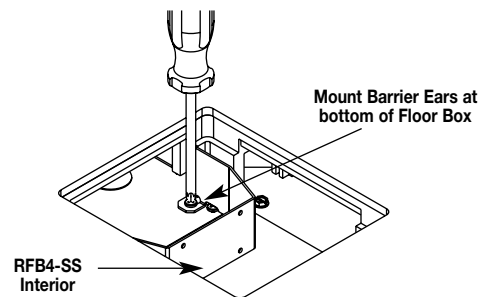
PARTITION FEED BARRIER KIT – RFBKIT

For use on RFB4 & RFB4-SS Floor Boxes

1. Install Barrier Base to RFB4 Floor Box Receptacle Mounts as shown using #10-24 Screws. Follow directions on next page to complete installation.



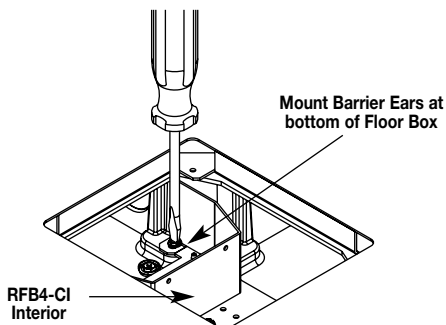
2. Install Barrier Base to RFB4-SS Floor Box as shown using Screws provided in Base Plate. Follow directions on next page to complete installation.



PARTITION FEED BARRIER KIT – RFBCIKIT

For use on RFB4-CI Floor Boxes

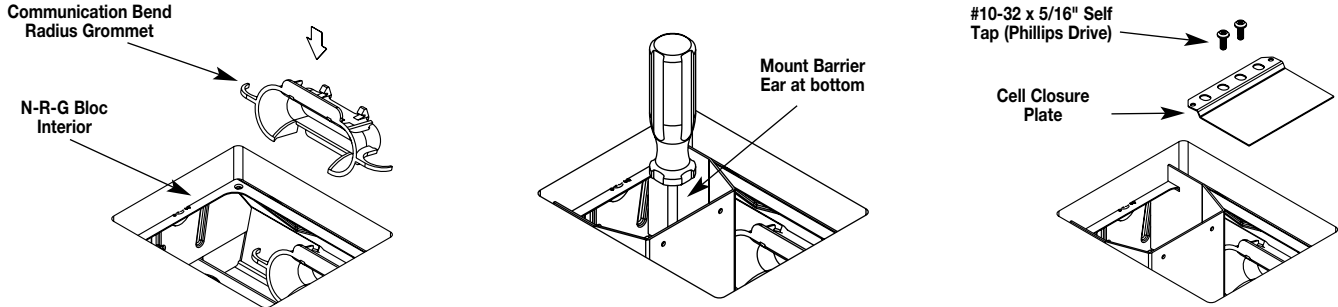
1. Install Barrier Base to RFB4-CI Floor Box as shown using Screws provided in Base Plate. Follow directions on next page to complete installation.



PARTITION FEED BARRIER KIT – NRGKIT

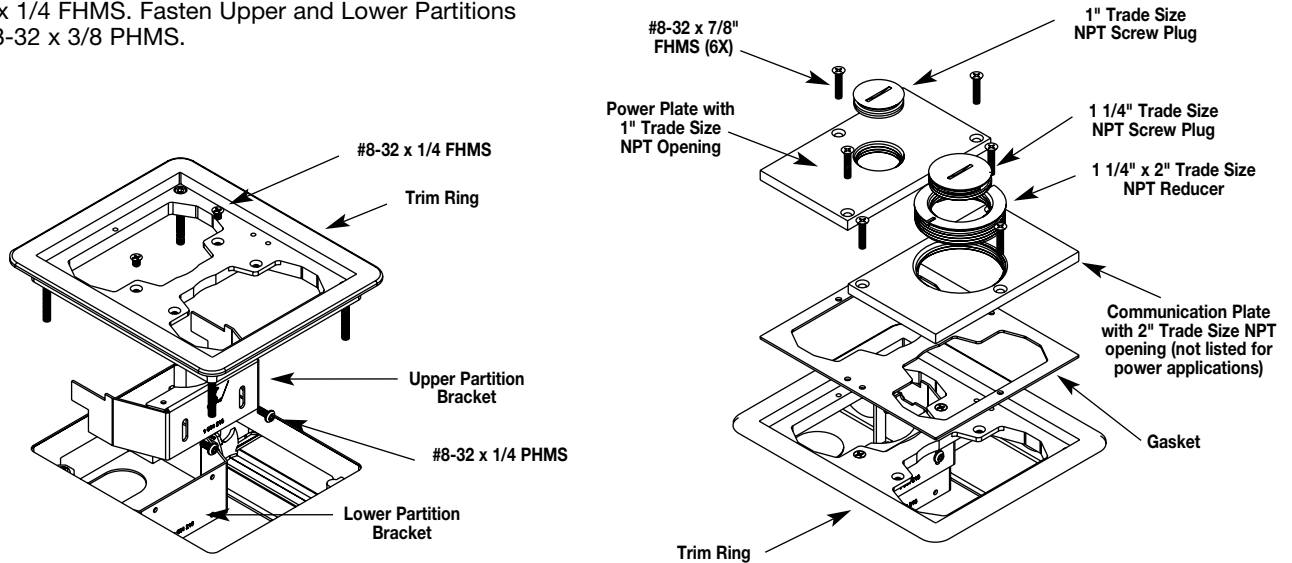
For use with UL Listed KAM Industries LTD, dba Coredeck Cellular Metal Raceway Fittings, catalog number NB or N-R-G Bloc® IV Series Presets

1. Insert lower lip of Grommet into the communication opening of the Cell. Push the top of the Grommet inward until it snaps into the Cell opening.
2. Install Barrier Base to N-R-G Deck as shown using #10-32 Screws. Follow directions below to complete installation.
3. Install Cell Closure Plate to N-R-G Deck as shown using #10-32 Screws.



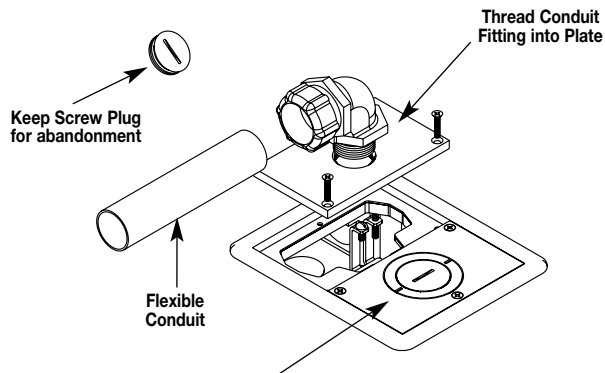
PARTITION FEED ACTIVATIONS – S38PP & S39PP SERIES

1. Select suitable Upper Partition height for concrete pour depth and position over Lower Partition. Attach Trim Ring. Mount Upper Partition to Trim Ring with #8-32 x 1/4 FHMS. Fasten Upper and Lower Partitions with #8-32 x 3/8 PHMS.
2. Place Gasket on Flange and remove necessary Screw Plugs for intended Conduit Fitting.

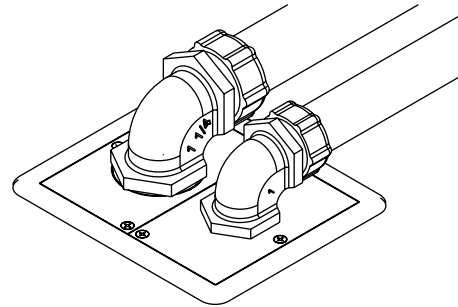


PARTITION FEED ACTIVATIONS – S38PP & S39PP SERIES (continued)

3. Attach Fitting and Conduit to Cover Plate. Pull wire & cables and mount Cover Plate to Trim Ring.



4. Installation complete.

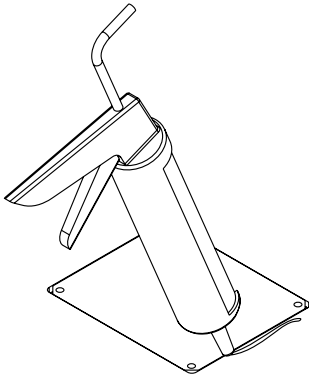


CAUTION: Tighten Mounting Plate Screws securely to maintain system ground continuity.

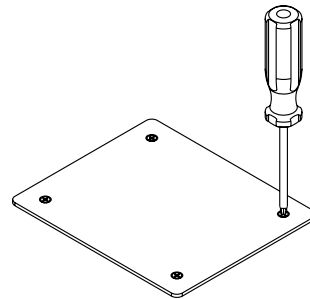
ABANDONMENT

1. Cat. No. S3AXBP

For abandonment, remove Cover Assembly and install 1/4" [6.4mm] Steel Plate using four Leveling Screws provided. Top of Plate should be flush with finished Floor. Apply a bead of silicone caulking around the Bottom Plate to prevent any water or debris entry.



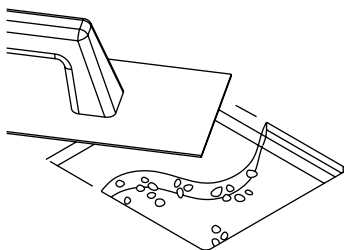
2. Place 1/8" [3.2mm] aluminum Top Plate over the Bottom Plate. Install the four Screws provided to secure the two Plates.



PERMANENT ABANDONMENT

1. Cat. Nos. PKCAP & NRGCAP

For permanent abandonment, remove Cover Assembly and replace with Mud Cap. Repair the Floor Opening using a suitable Grout or Concrete fill.



To maintain UL Classification on cellular deck applications, refer to the tables below for maximum quantity of conductors allowed to exit activation covers. Refer to the UL Fire Resistance Directory for additional floor design information. Depth of concrete over top of steel deck must be a minimum of 2 1/2" [64 mm]

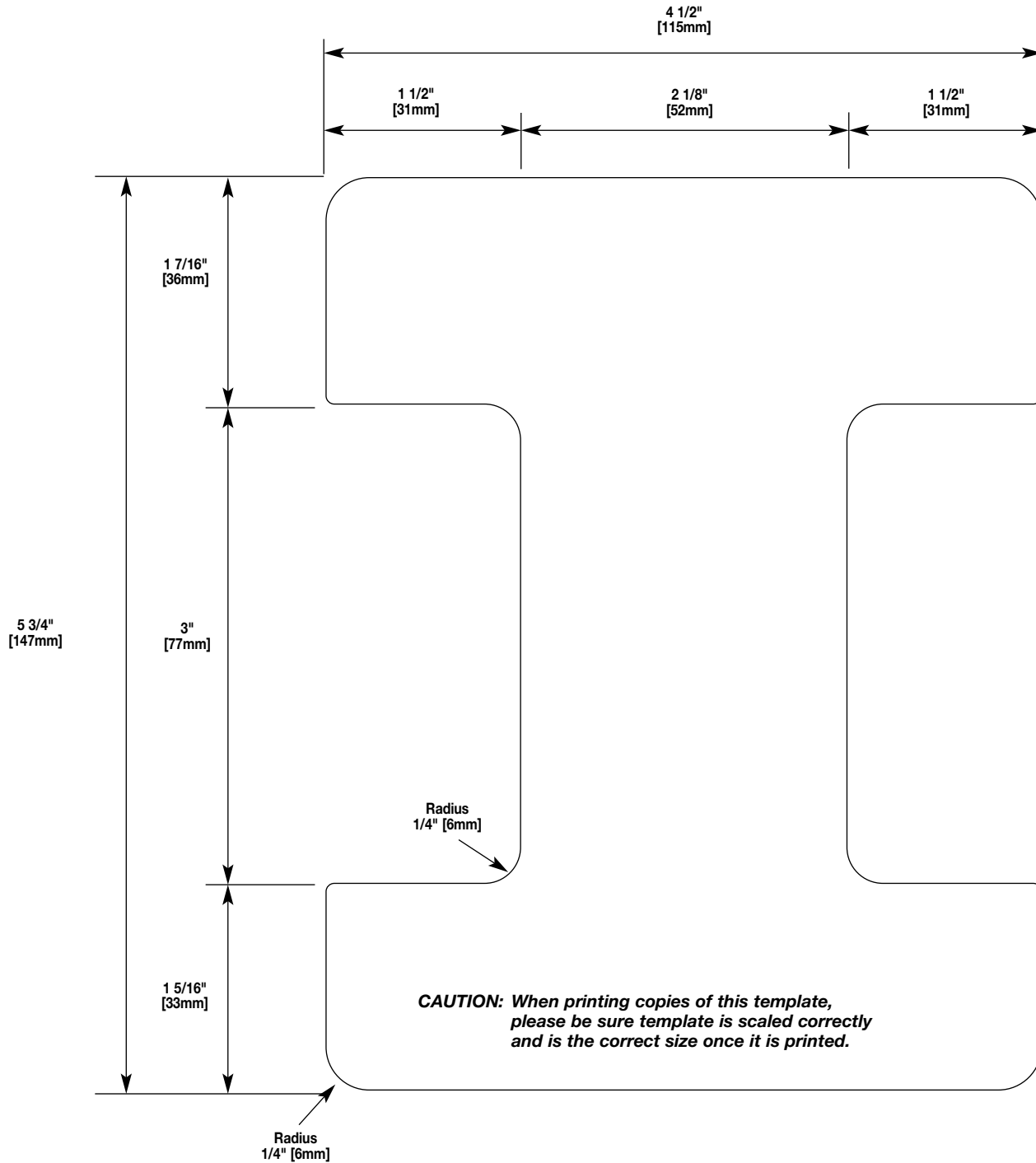
CABLE CAPACITY FOR CAT. NO. SERIES PK PRESETS MANUFACTURED BY WALKER SYSTEMS, INC.				
	COVER CAT. NO.	PRESET USED WITH:	POWER	COMM
FLANGED	S38BB	2 Duplex Receptacles	4 (a)	64 (d)
	S38BB	4 Duplex Receptacles	0 (b)	0 (b)
	S38CC	2 Duplex Receptacles	4 (a)	64 (d)
	S38CC	4 Duplex Receptacles	0 (b)	0 (b)
	S38PP	Conduit Feed - Power Only	14 (c)	0
	S38PP	Conduit Feed - Comm. Only	0	224 (e)(f)
	S38PP	Conduit Feed - Power & Comm.	14 (c)	224 (e)(f)
FLANGELESS	S39BB	2 Duplex Receptacles	4 (a)	64 (d)
	S39BB	4 Duplex Receptacles	0 (b)	0 (b)
	S39CC	2 Duplex Receptacles	4 (a)	64 (d)
	S39CC	4 Duplex Receptacles	0 (b)	0 (b)
	S39PP	Conduit Feed - Power Only	14 (c)	0
	S39PP	Conduit Feed - Comm. Only	0	224 (e)(f)
	S39PP	Conduit Feed - Power & Comm.	14 (c)	224 (e)(f)

CABLE CAPACITY FOR CAT. NO. SERIES NB OR NRG BLOC IV PRESETS				
	COVER CAT. NO.	PRESET USED WITH:	POWER	COMM
FLANGED	S38BB	2 Duplex Receptacles	4 (a)	96 (d)
	S38BB	4 Duplex Receptacles	8 (a)	64 (d)
	S38CC	2 Duplex Receptacles	4 (a)	96 (d)
	S38CC	4 Duplex Receptacles	8 (a)	64 (d)
	S38PP	Conduit Feed - Power Only	14 (c)	0
	S38PP	Conduit Feed - Comm. Only	0	224 (e)(f)
	S38PP	Conduit Feed - Power & Comm.	14 (c)	224 (e)(f)
FLANGELESS	S39BB	2 Duplex Receptacles	4 (a)	96 (d)
	S39BB	4 Duplex Receptacles	8 (a)	64 (d)
	S39CC	2 Duplex Receptacles	4 (a)	96 (d)
	S39CC	4 Duplex Receptacles	8 (a)	64 (d)
	S39PP	Conduit Feed - Power Only	14 (c)	0
	S39PP	Conduit Feed - Comm. Only	0	224 (e)(f)
	S39PP	Conduit Feed - Power & Comm.	14 (c)	224 (e)(f)

NOTES:

- (a) Maximum quantity of three-conductor power supply cords (3/8" [9.5mm] maximum diameter).
- (b) Not applicable. The PK Preset will house a maximum of two duplex receptacles.
- (c) Maximum quantity of No. 12 AWG conductors allowed when a 1/2" through 1" trade size liquid tight steel conduit with cast steel 90° elbow is connected to access cover. When conductors larger than No. 12 AWG are used, the aggregate cross-sectional area of the copper conductors shall not exceed the aggregate cross-sectional area of No. 12 AWG conductors.
- (d) Maximum quantity of No. 24 AWG conductors (4-pair communication cable has eight conductors; 25-pair communication cable has 50 conductors). When conductors larger than No. 24 AWG are used, the aggregate cross-sectional area of the copper conductors shall not exceed the aggregate cross-sectional area of No. 24 AWG conductors. Maximum size of any communication cable is not to exceed 25-pair (3/8" [9.5mm] maximum diameter).
- (e) Maximum quantity of No. 24 AWG conductors (4-pair communication cable has eight conductors; 25-pair communication cable has 50 conductors) allowed when a 1/2" through 1- 1/4" trade size liquid tight conduit with cast steel 90° elbow is connected to access cover. When conductors larger than No. 24 AWG are used, the aggregate cross-sectional area of the copper conductors shall not exceed the aggregate cross-sectional area of No. 24 AWG conductors. Maximum size of any communication cable is not to exceed 25-pair (3/8" [9.5mm] maximum diameter).
- (f) Where local codes permit, conduit may be omitted when used for communication type cables. A steel conduit fitting or a nipple that extends a minimum distance of 1" [25.4 mm] beyond surface of cover assembly must be utilized. Protect wires from damage by installing a bushing suitable for use with the type of fitting used. The diameter of the conduit fitting opening for the passage of cables shall be no more than 1/8 in. larger than the diameter of the cable. Use a suitable fire-resistive caulking such as 3M Part No. CP 25WB to seal openings around cables larger than 1/8 in.

CARPET INSERT TEMPLATE



WIREMOLD



Wiremold / Legrand

U.S. and International:

60 Woodlawn Street • West Hartford, CT 06110

1-800-621-0049 • FAX 860-232-2062 • Outside U.S. 860-233-6251

Canada:

570 Applewood Crescent • Vaughan, Ontario L4K 4B4

1-800-723-5175 • FAX 905-738-9721

